

# Electric Pump for LHL

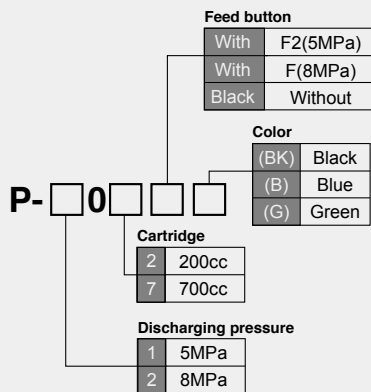
P-102/107/202/207

Small, low cost pump, exclusively for our LHL original cartridge grease.



[P-107F-BK]

## Model Reference



## Specifications

Power	DC24V
Power Consumption	24W
Discharging pressure	5MPa/8MPa
Discharging time	No restriction
Minimum interval time	10 seconds
Wiring method	Terminal connection
Manual override switch	Yes (Optional)
Grease level switch	Yes
Cover	Non combustible plastic (UL94-V0)
NEMA rating	IP54
CE approval	Yes
Pump air bleeding valve	Yes
Weight	P-102:1.2kg, 107:1.6kg, 202:1.2kg, 207:1.6kg

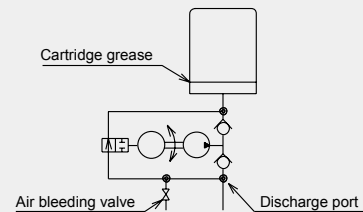
## Model

Model	Part Number	Model	Part Number
P-102(BK)	101002	P-202(BK)	101032
P-102(B)	101006	P-202(B)	101036
P-102(G)	101008	P-202(G)	101038
P-102F2(BK)	101082	P-207(BK)	101033
P-102F2(B)	101086	P-207(B)	101037
P-102F2(G)	101088	P-207(G)	101039
P-107(BK)	101003	P-202F(BK)	101042
P-107(B)	101007	P-202F(B)	101046
P-107(G)	101009	P-202F(G)	101048
P-107F2(BK)	101083	P-207F(BK)	101043
P-107F2(B)	101087	P-207F(B)	101047
P-107F2(G)	101089	P-207F(G)	101049

## Directions for use

- Use LUBE original LHL cartridge only.
- When the cartridge is changed, take care that foreign particles are not getting inside.
- Do not discharge continuously.
- After changing the cartridge, bleed the air inside the pump by opening the air bleeding valve.

## Hydraulic circuit diagram



## Related parts



MU valve  
: P57



MUJ junction  
: P58



MDP valve  
: P59



GPL Pressure Switch  
: P66



Pressure gauge  
: P95



Main tubing  
: P203

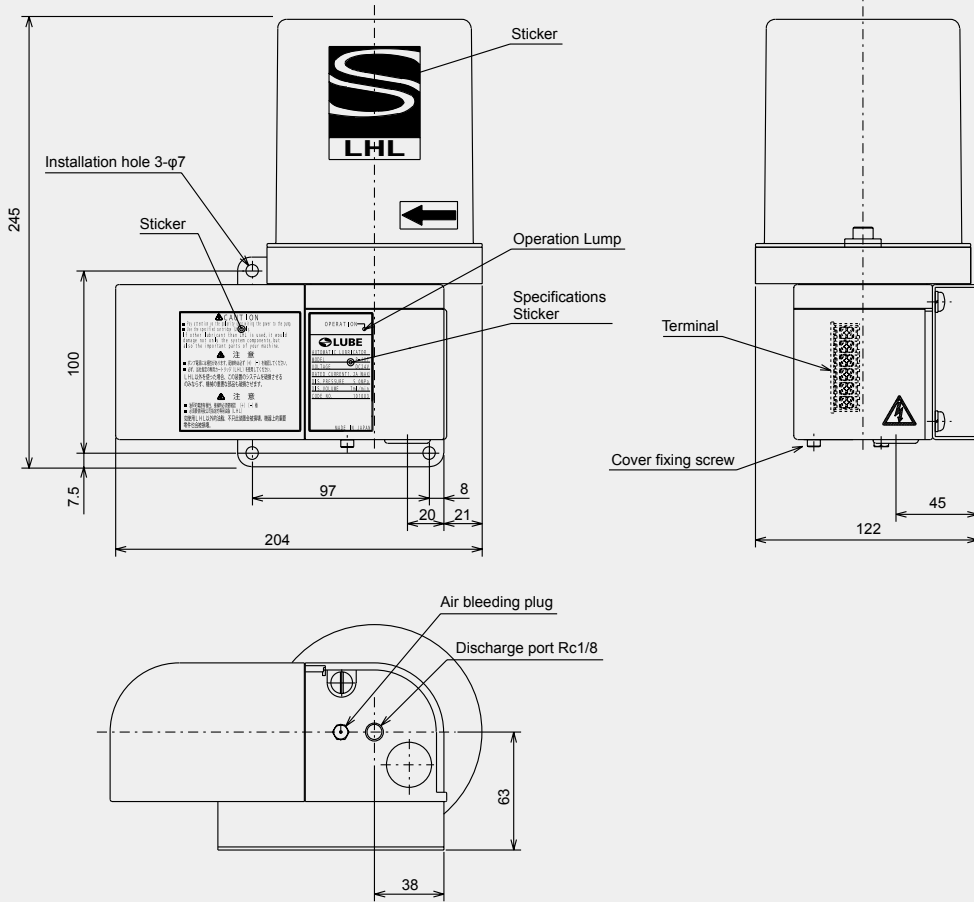


Adapter assemblies  
: P217

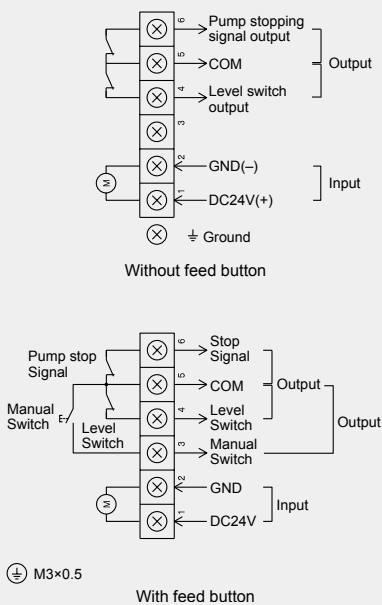


LHL-X100  
: P90

## Dimensional drawing



## Wiring diagram



## P-107 Pump motion control flowchart

